

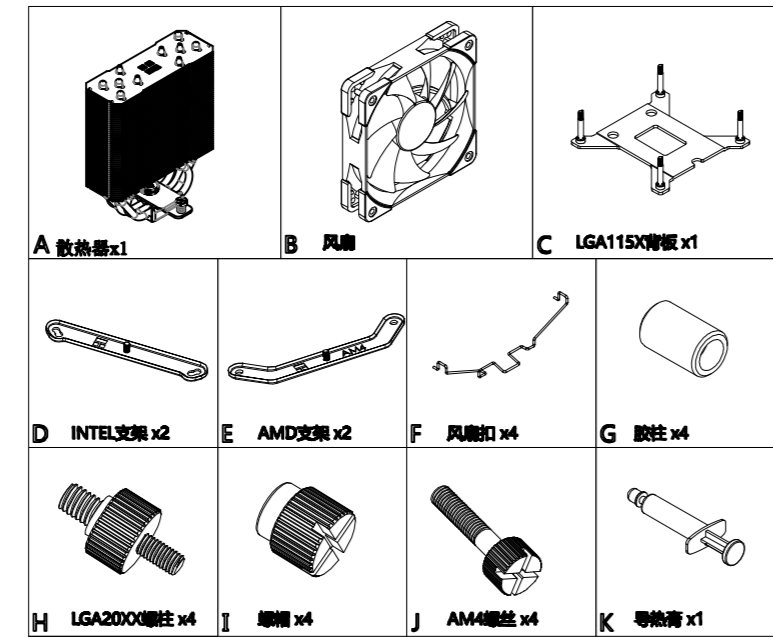


### 安装说明

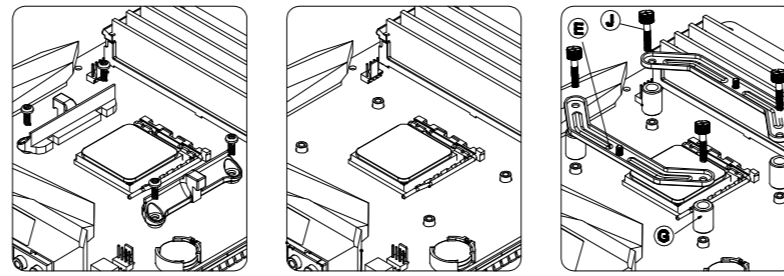
## TR-TA120 EXtreme Serise

www.thermalright.com

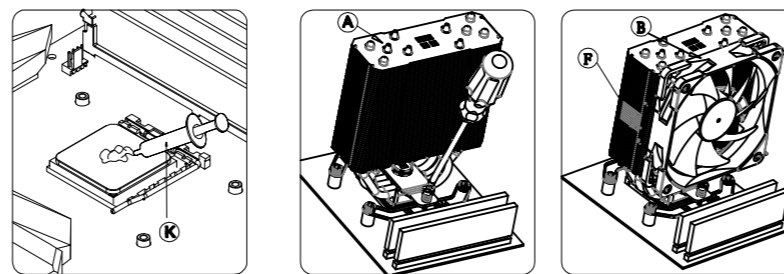
### 配件清单



### AMD AM4

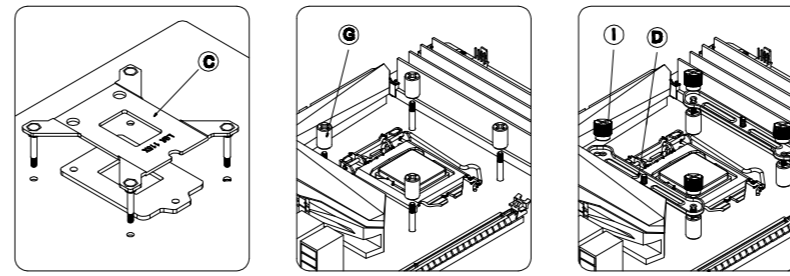


移除AMD原装塑料支架,保留背板;使用AM4螺丝将AMD支架固定到背板。

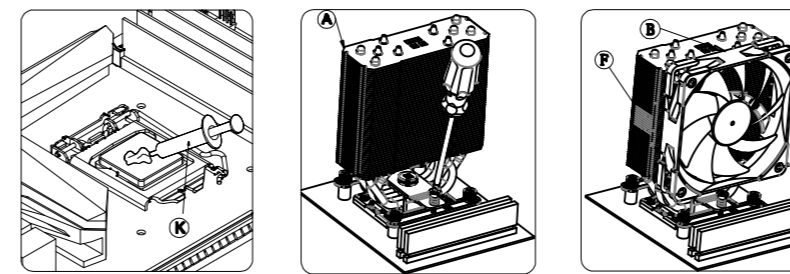


涂好导热膏,然后先贴好散热片,再固定风扇。

### INTEL LGA115X

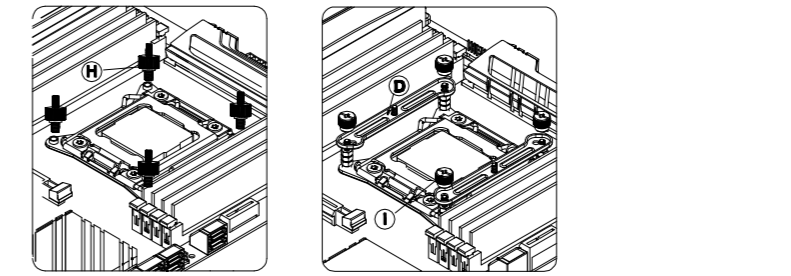


将LGA115X背板放置在主板背面,然后从正面放置胶柱、支架,再用螺母固定住INTEL支架。

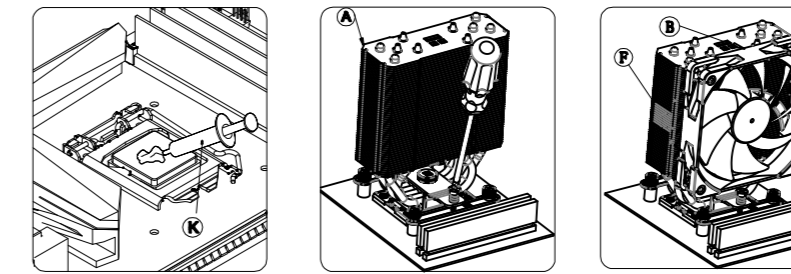


涂好导热膏,然后先贴好散热片,再固定风扇。

### INTEL LGA20XX

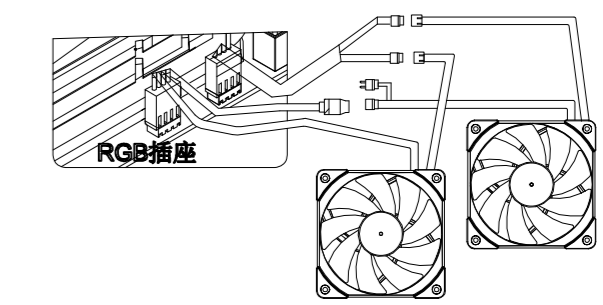


将LGA20XX螺丝拧到主板,然后放置支架,再用螺母固定住INTEL支架。

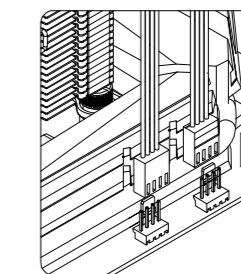


涂好导热膏,然后先贴好散热片,再固定风扇。

### 风扇接线



如风扇有RGB灯效 请将RGB灯效 3针 (5V) /4针 (12V) 插入主板对应 RGB灯效插座或者控制器,多风扇之间为串接。



将风扇 4针PWM接头插入主板CPU FAN 插座 如使用双风扇,请使用Y型转接线。

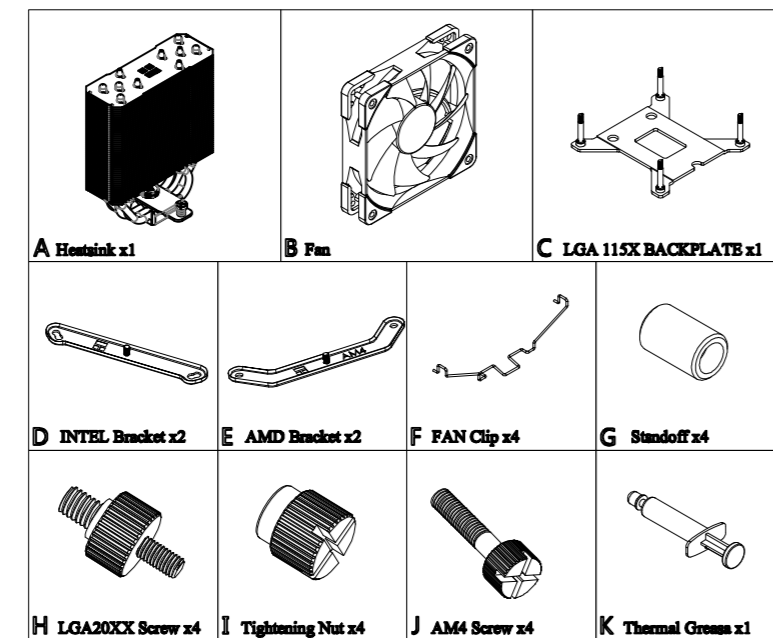


### INSTALLATION GUIDE

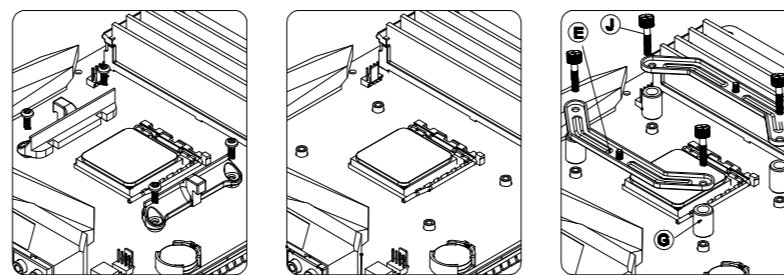
## TR-TA120 EXtreme Serise

www.thermalright.com

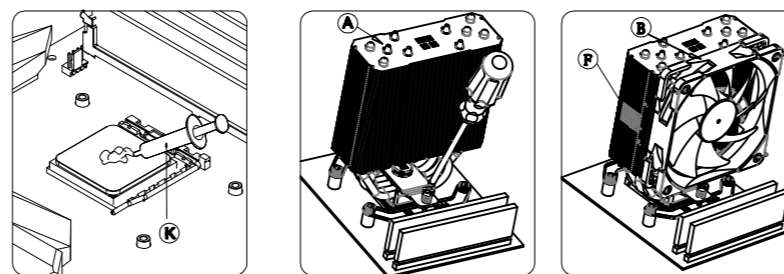
### parts list



### AMD AM4

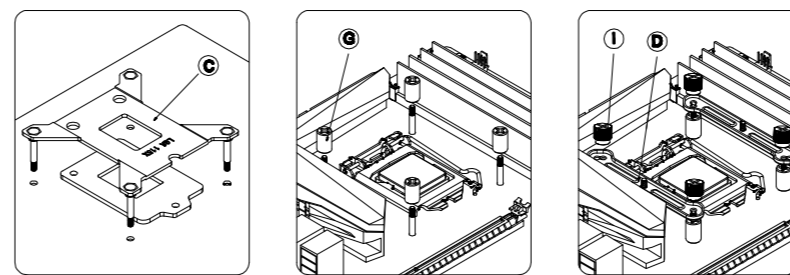


Remove plastic retention bracket,but keep the backplate;secure the brackets using the AM4 screws.

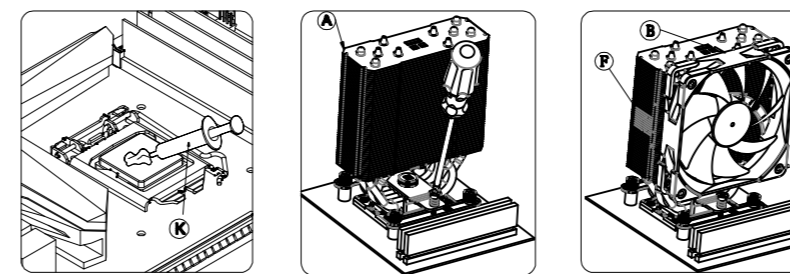


Apply a thin layer of thermal grease;and then secure heatsink.

### INTEL LGA115X

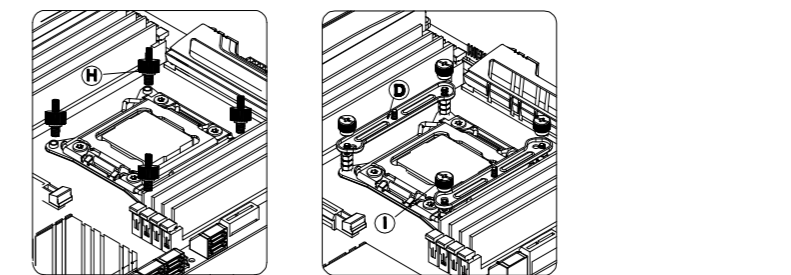


Put the backplate through the back of the motherboard;put on the standoffs and the LGA115X brackets,and then tightening the nuts to secure.

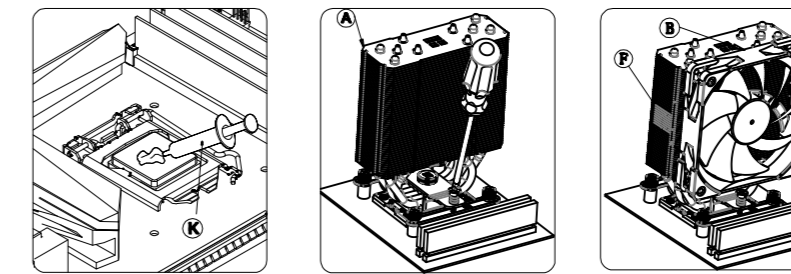


Apply a thin layer of thermal grease; and then secure heatsink.

### INTEL LGA20XX

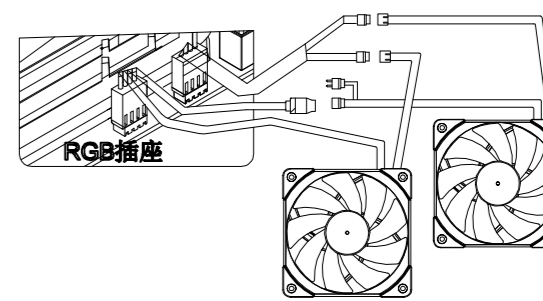


Thread in the LGA20XX screws;put on the brackets and then tightening with nuts.

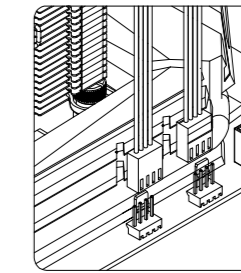


Apply a thin layer of thermal grease; and then secure heatsink.

### Fan wiring



If the fan has RGB lamp effect, please insert RGB lamp effect 3-pin (5V) / 4-pin (12V) into the motherboard corresponding to RGB lamp effect socket or controller, and connect multiple fans in series.



Insert the 4-pin PWM connector of the FAN into the CPU FAN socket of the motherboard. For double fans, please use y-type connector.

