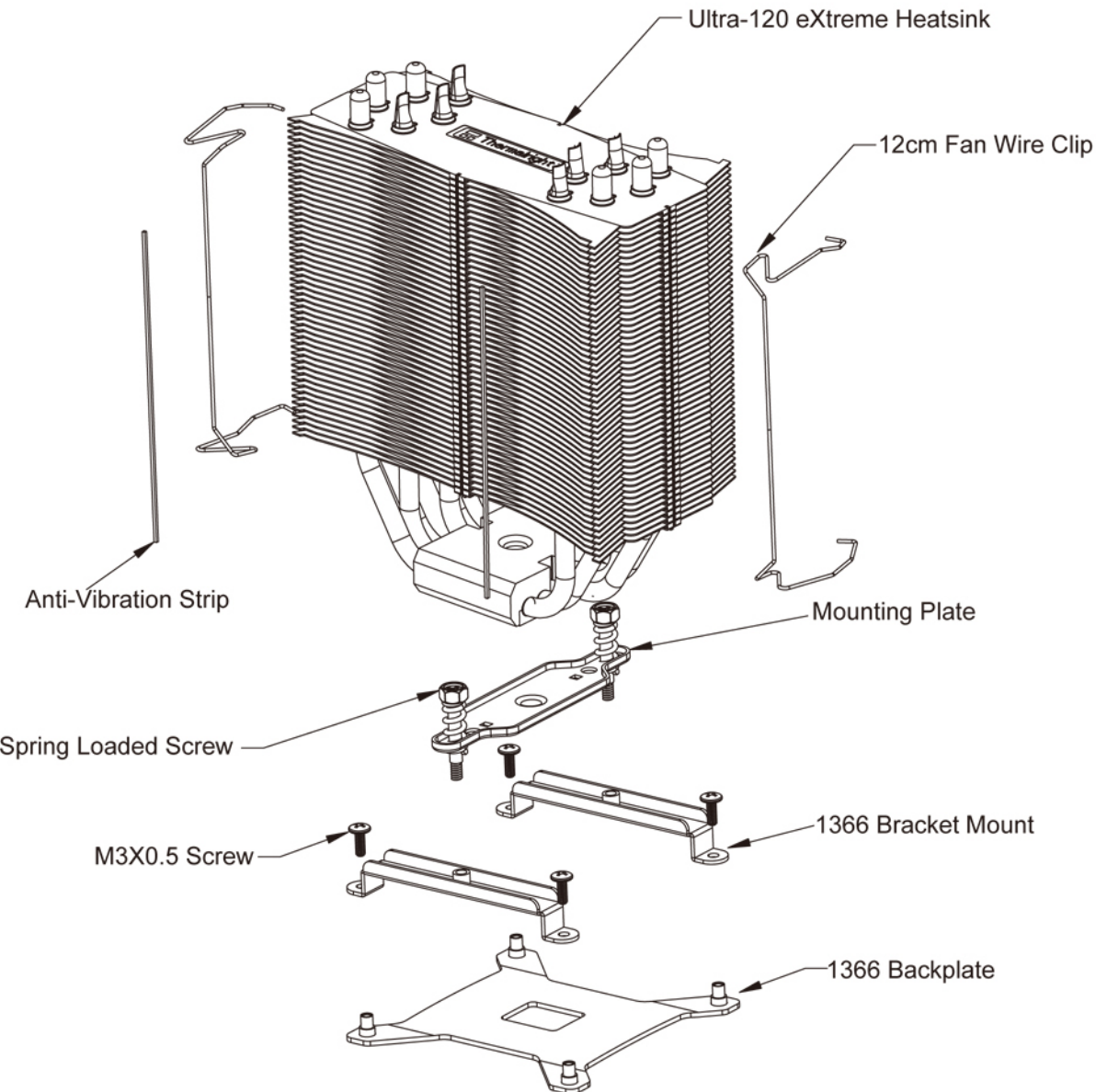
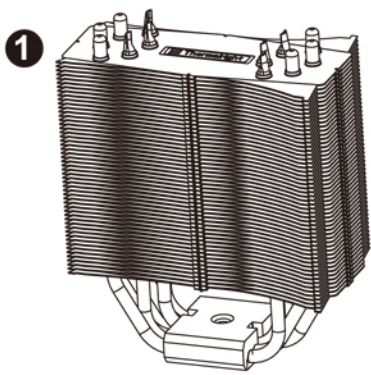
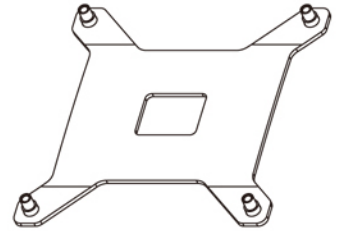






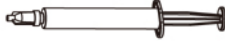



Exploded View

Important! Before proceeding with installation, please check for the most up-to-date instructions at www.thermalright.com



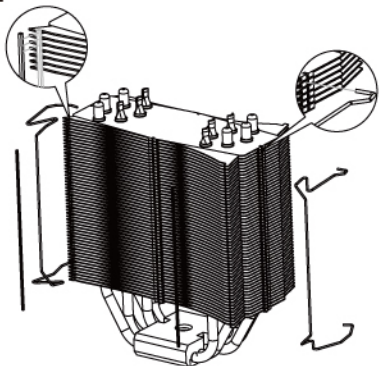
Component

			
			
			
			
			
Parts Name	Piece(s)	Parts Name	Piece(s)
1 Ultra-120 eXtreme Heatsink	1	6 Spring Loaded Screw	2
2 1366 Backplate	1	7 1366 Bracket Mount	2
3 12cm Fan Wire Clip	2	8 Mounting Plate	1
4 Anti-Vibration Strip	2	9 Chill Factor Thermal Paste	1
5 M3X0.5 Screw	4	10 Wrench	1

Installation Guide

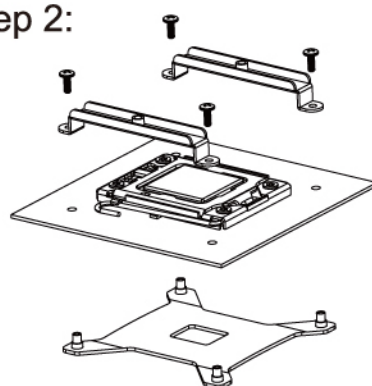
Important! Before proceeding with installation, please check for the most up-to-date instructions at www.thermalright.com

Step 1:



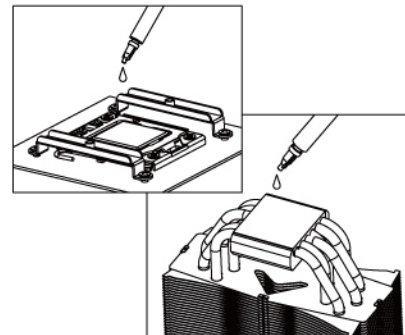
Step 1 : Installation of Accessory Parts
Apply the anti-vibration strips to each side of the heatsink. Insert each end of the fan clips into its designated holes on the heatsink.

Step 2:



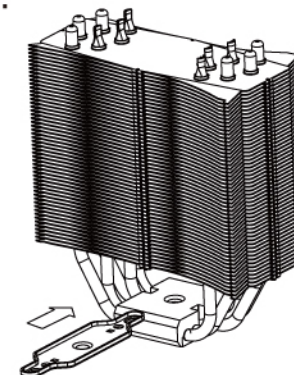
Step 2 : Bracket Mount Installation
Use the four M3x0.5 screws to secure the 1366 bracket mount to the 1366 backplate with the motherboard in between.

Step 3:



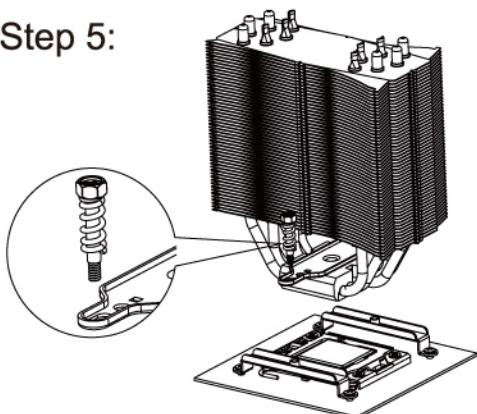
Step 3 : Thermal Paste Application
Apply a thin layer of thermal paste across the surface of the CPU and the heatsink bottom.

Step 4:



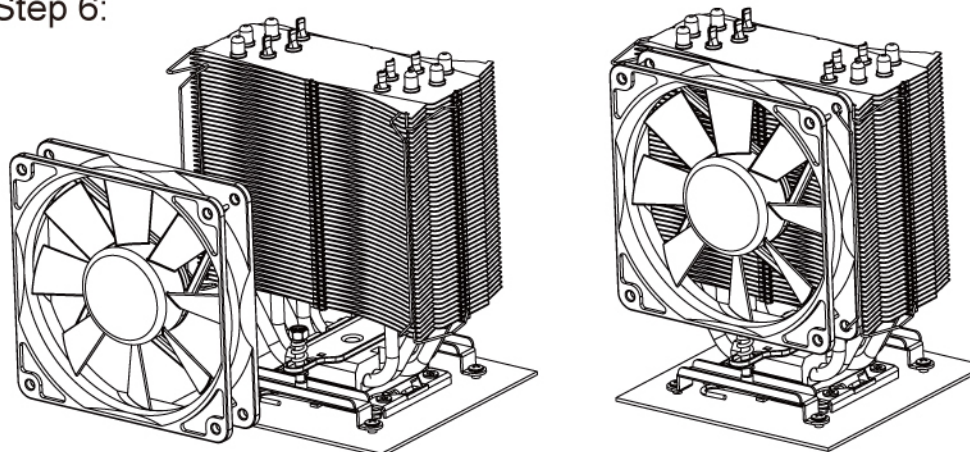
Step 4 : Slide the mounting plate through between the heatpipes and place it in the dimple on top of the heatsink base.

Step 5:



Step 5 : Place the heatsink on top of CPU and secure in place by tightening on the spring loaded screws.

Step 6:



Step 6 : Place a 12cm fan to the heatsink and pull fan clip to hook into fan mounting holes. Plug in for power.