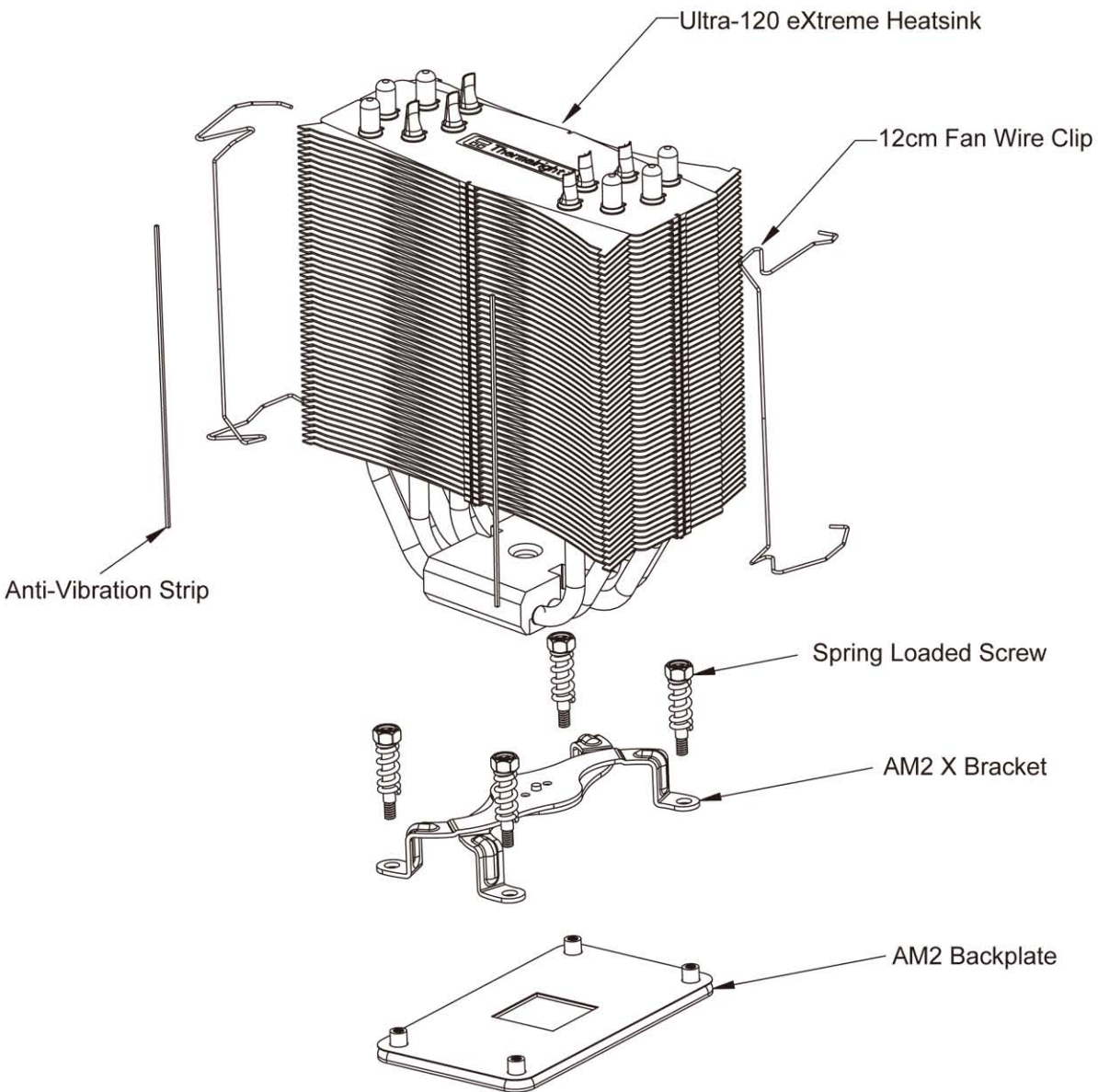


Exploded View

Important! Before proceeding with installation, please check for the most up-to-date instructions at www.thermalright.com



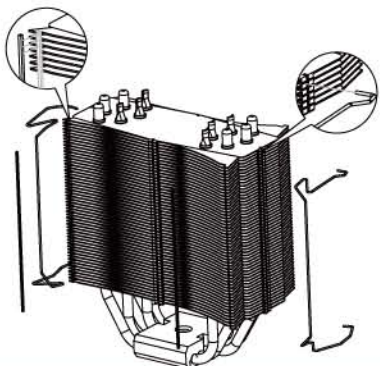
Component

Parts Name	Piece(s)	Parts Name	Piece(s)
1 Ultra-120 eXtreme Heatsink	1	5 Anti-Vibration Strip	2
2 AM2 X Bracket	1	6 Spring Loaded Screw	2
3 AM2 Backplate	1	7 Chill Factor Thermal Paste	1
4 12cm Fan Wire Clip	2	8 Wrench	1

Installation Guide

Important! Before proceeding with installation, please check for the most up-to-date instructions at www.thermalright.com

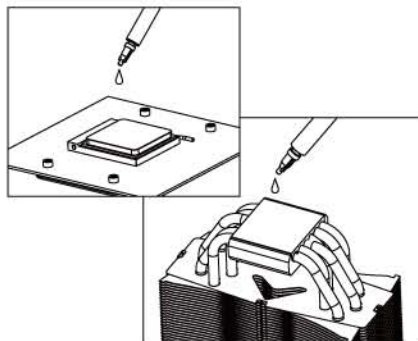
Step 1:



Step 1 : Installation of Accessory Parts

Apply the anti-vibration strips to each side of the heatsink. Insert each end of the fan clips into its designated holes on the heatsink.

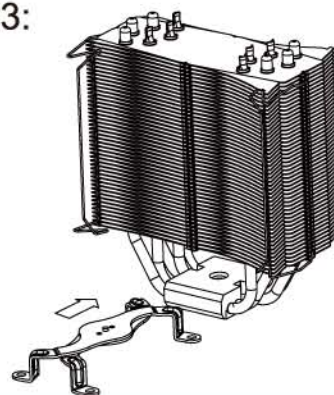
Step 2:



Step 3 : Thermal Paste Application

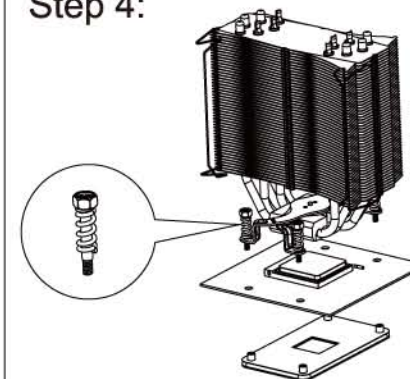
Apply a thin layer of thermal paste across the surface of the CPU and the heatsink bottom.

Step 3:



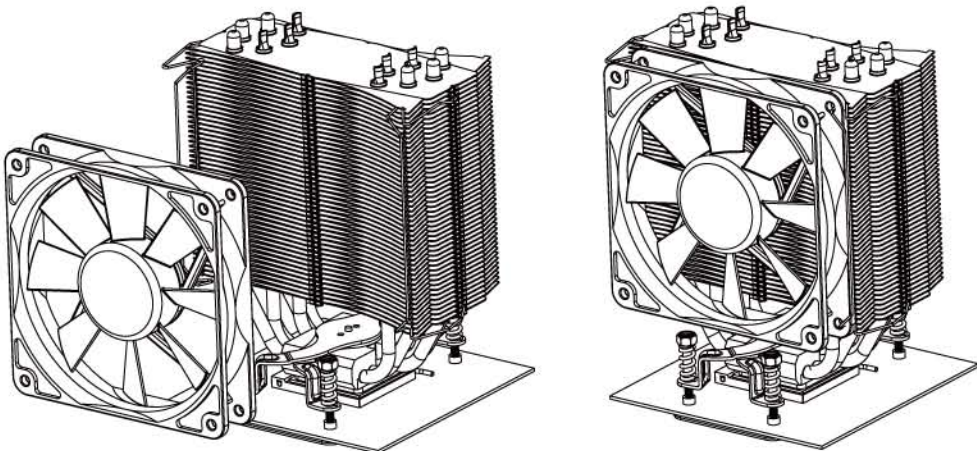
Step 3 : Retract AM2 X Bracket to its smallest form and slide it through between the heatpipes. Extend it back to its original form and place it on top of the heatsink.

Step 4:



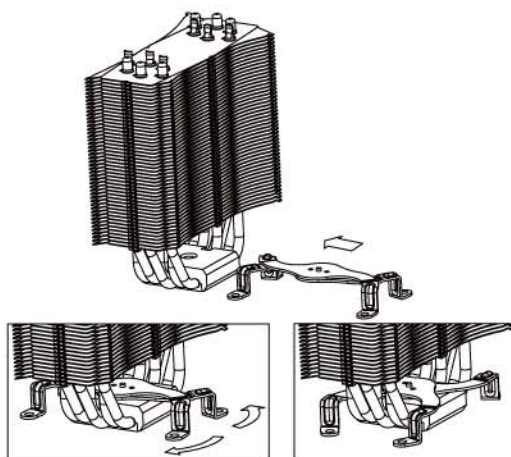
Step 4 : Place the heatsink on top of CPU and secure in place by tightening on the spring loaded screws to the AM2 backplate on the other side of the motherboard.

Step 5:

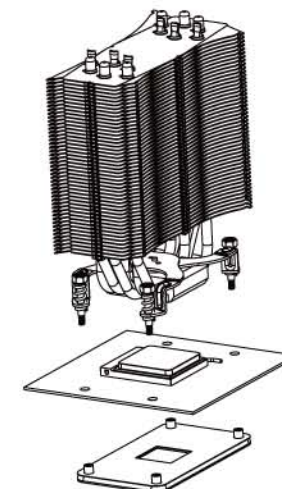


Step 5 : Place a 12cm fan to the heatsink and pull fan clip to hook into fan mounting holes. Plug in for power.

Second Installation Method :



Step 3 : Apply the anti-vibration strips to each side of the heatsink. Insert each end of the fan clips into its designated holes on the heatsink.



Step 4 : Rotate the heatsink in a 90 degree fashion and place it on top of CPU. Secure the heatsink in place by tightening on the spring loaded screws to the AM2 backplate on the other side of the motherboard.