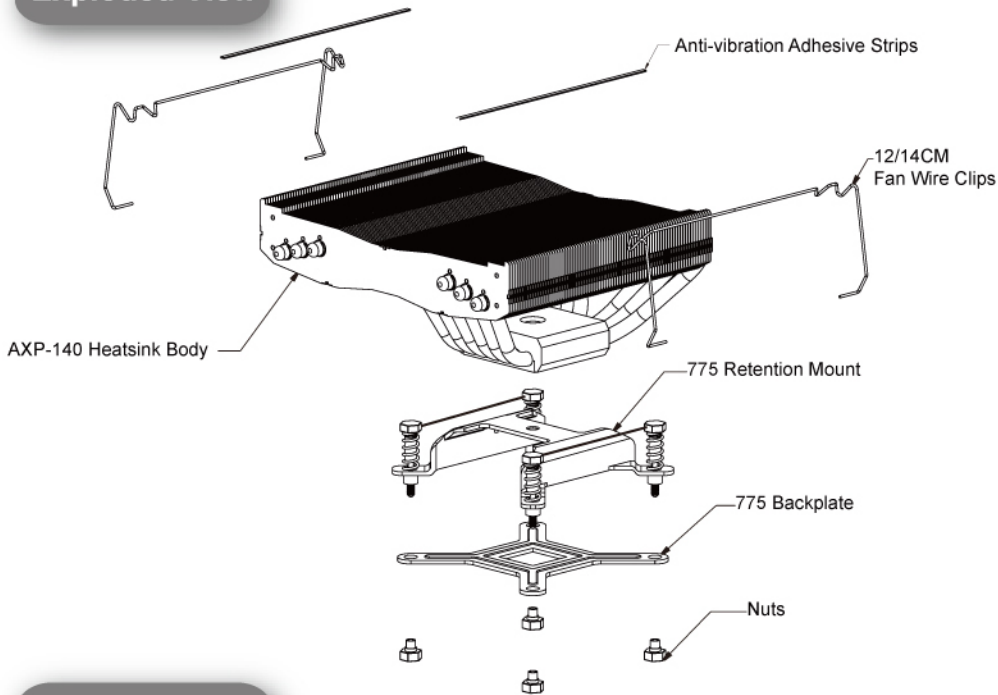
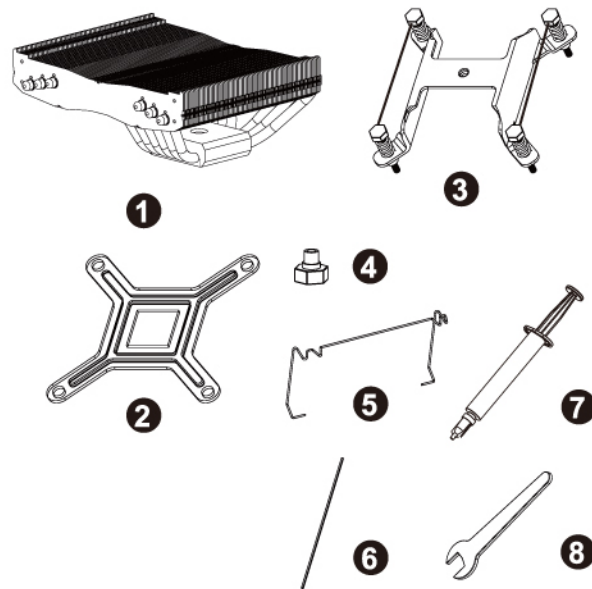


## Exploded View



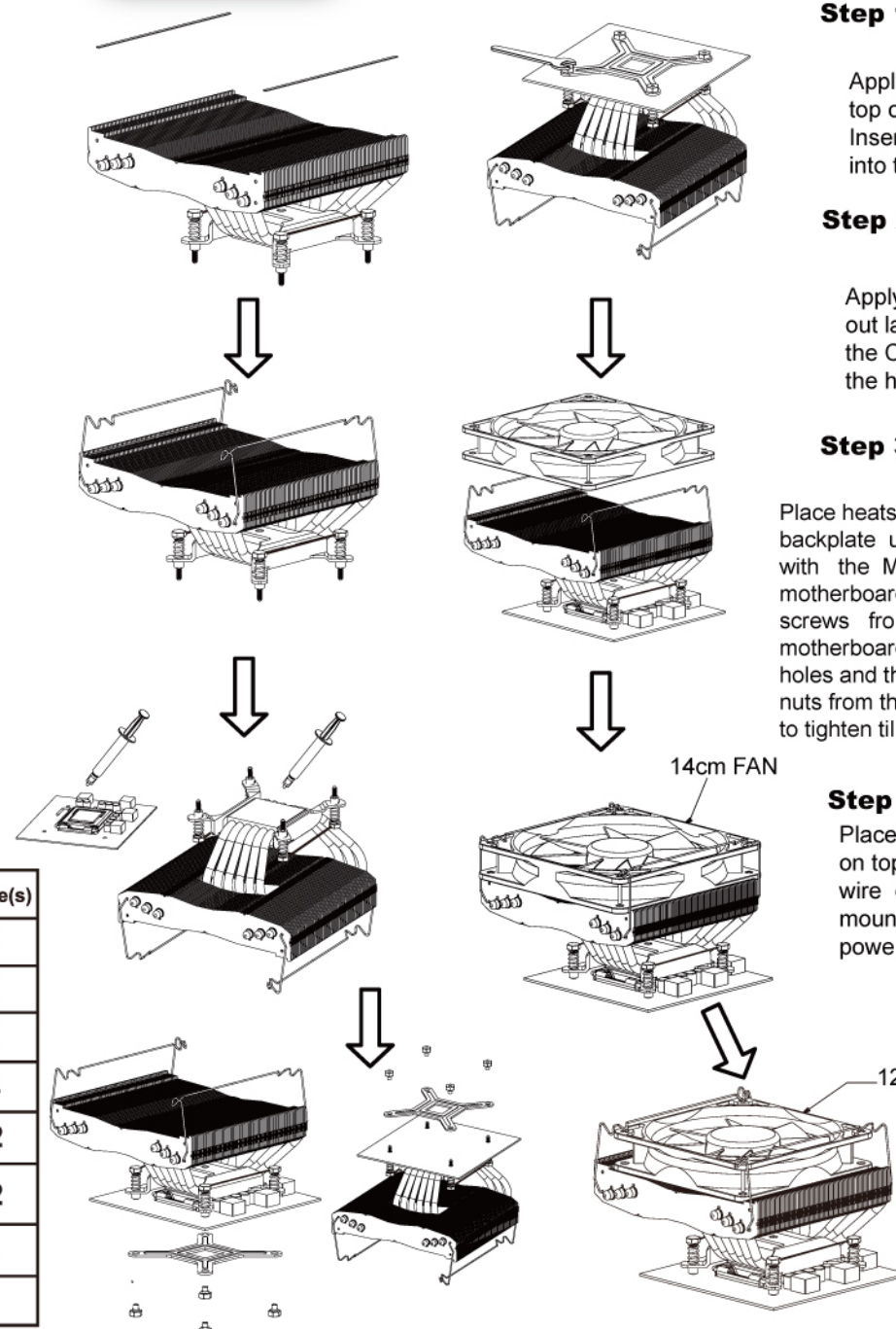
## Component



Parts Name	Piece(s)
1 AXP-140 Heatsink Body	1
2 775 Backplate	1
3 775 Retention Mount	1
4 Nuts	4
5 12/14CM Fan Wire Clips	2
6 Anti-vibration Adhesive Strips	2
7 CF Thermal Paste	1
8 Wrench	1

## Installation

Important! Before proceeding with installation, please check for the most up-to-date instructions at [www.thermalright.com](http://www.thermalright.com)



### Step 1 : Accessory Installation

Apply the anti-vibration strips to top of the heatsink on each side. Insert each end of fan wire clips into their designated holes.

### Step 2 : Thermal Paste Application

Apply a thin and evenly spread out layer of thermal paste to the CPU and to the bottom of the heatsink base.

### Step 3 : Heatsink Installation

Place heatsink on top of CPU with the backplate underneath the motherboard with the Mylar film facing toward the motherboard. Insert the spring loaded screws from the top side of the motherboard through the 4 mounting holes and then cap them with the supplied nuts from the bottom side. Use a wrench to tighten till finger tight.

### Step 4 : Fan Installation

Place a 14cm fan (or a 12cm fan) on top of the heatsink. Pull on fan wire clip to hook into the fan mounting holes. Plug in fan for power. Installation completed.