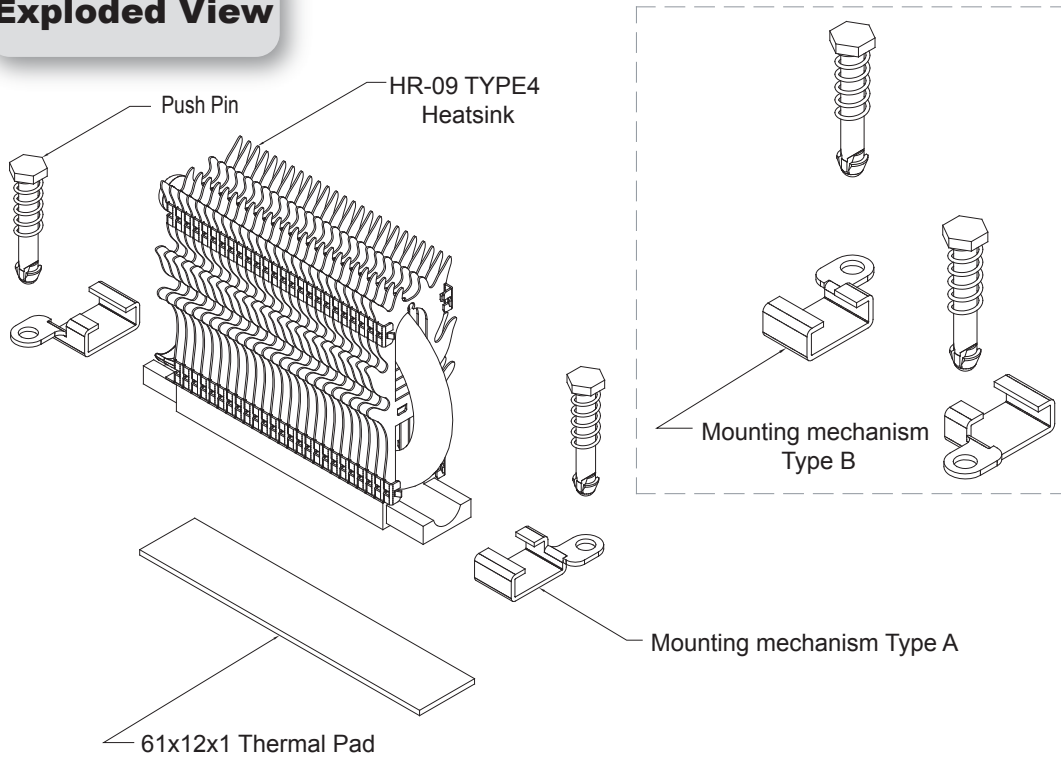


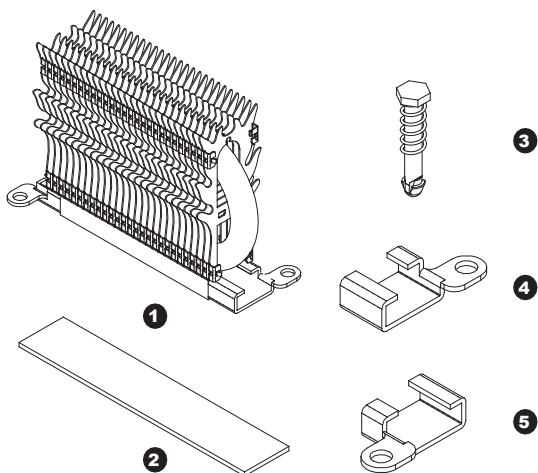
# HR-09 Type4 Heatsink

Important! Before proceeding with installation, please check for the most up-to-date instructions at [www.thermalright.com](http://www.thermalright.com)

## Exploded View



## Component



Parts Name	Piece(s)
1 HR-09 TYPE4 Heatsink	1
2 61x12x1 Thermal Pad	1
3 Push Pin	2
4 Mounting mechanism Type A	2
5 Mounting mechanism Type B	2

## Installation

