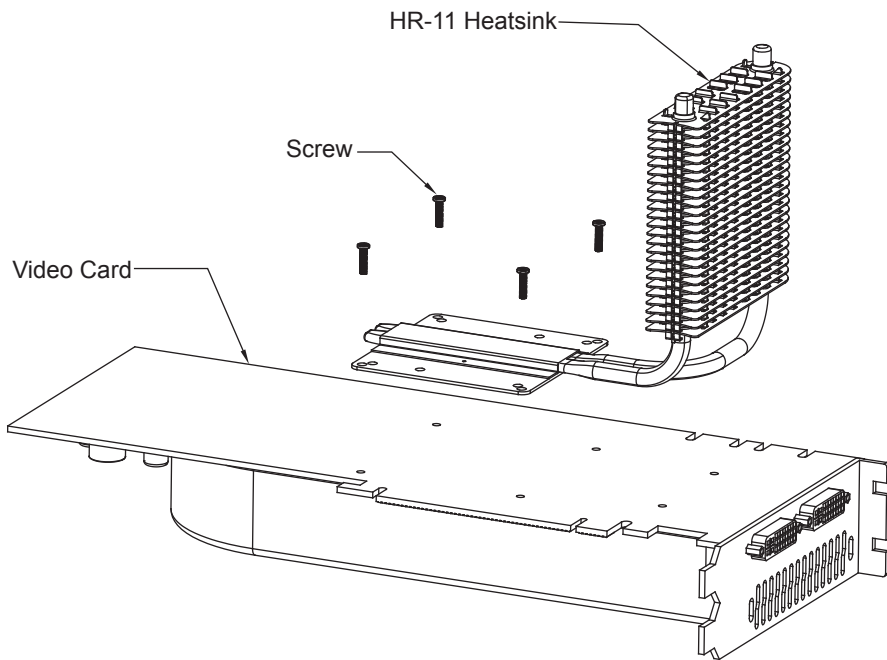
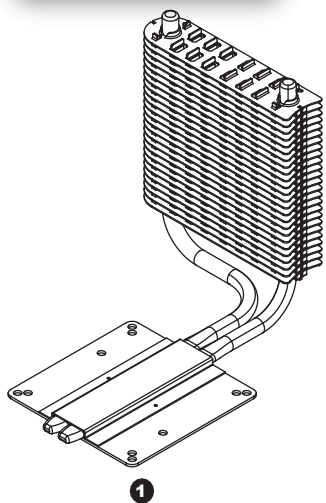


# HR-11 Heatsink

## Exploded View



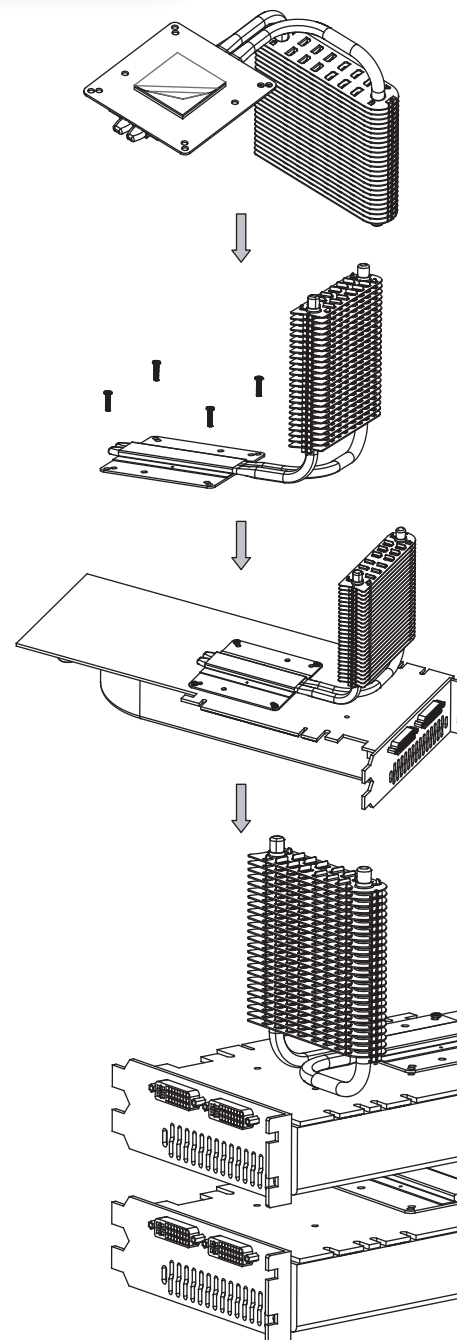
## Component



| Parts Name       | Piece(s) |
|------------------|----------|
| ① HR-11 Heatsink | 1        |
| ② M2x9 Screw     | 4        |
| ③ M2.5x13 Screw  | 4        |

## Installation

Important! Before proceeding with installation, please check for the most up-to-date instructions at [www.thermalright.com](http://www.thermalright.com)



### Step 1:

Remove sheet from thermal pad.

### Step 2:

Select the appropriate screws in accordance to VGA's requirement.

### Step 3:

Insert the screws through the HR-11 base and the VGA card to secure in place.

### Step 4:

For SLI, HR-11 can also be installed, with it turned 90 degrees.