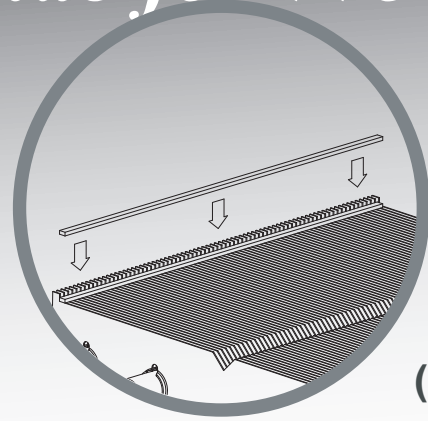
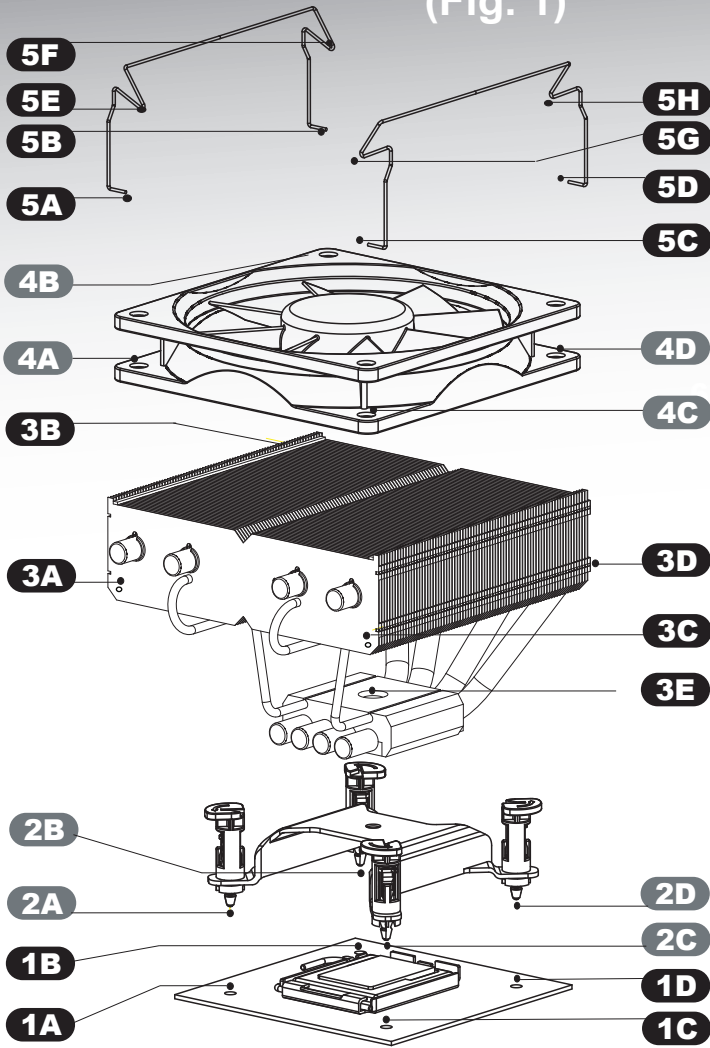
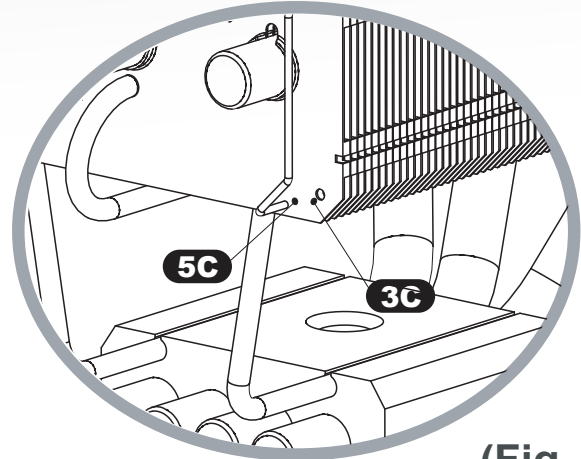


SI-128 Installation Guide for 775

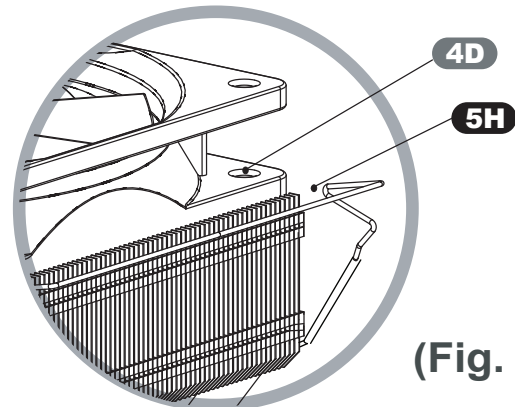
(Fig. 1)



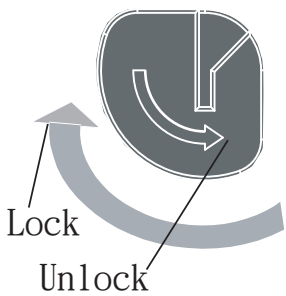
(Fig. 2)



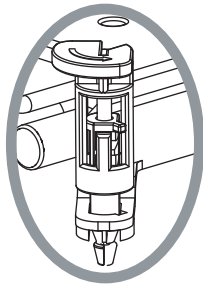
(Fig. 3)



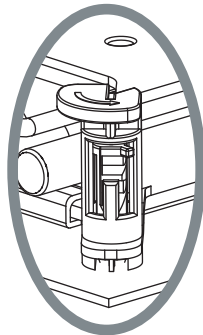
(Fig. 4)



(Fig. 5)



(Fig. 6)



(Fig. 7)

LGA 775 Installation for SI-128

1. Apply the anti-vibration adhesive strips on the heatsink. Please refer to Fig.2.
2. Insert each end of the wire clip (Fig. 1, 5A/B/C/D) into the designated holes (Fig. 1, 3A/B/C/D) on each side of the heatsink. Please refer to Fig. 3 for further reference.
3. Place the fan to the heatsink and snap the hooking points (Fig. 1, 5E/F/G/H) on the fan wire into the fan holes (Fig. 1, 4A/B/C/D). Please refer to Fig. 4.
4. Apply thermal paste evenly on the CPU and on the base of the heatsink.
5. Put the metal bracket through the heatsink. Secure the fasteners to the bracket by turning the handle on each one clockwise(see Fig.5). For placement reference, please see Fig. 6.
6. Align the four fasteners (Fig. 1, 2A/B/C/D) to the four fixture holes at each corner of the CPU (Fig. 1, A/B/C/D) and snap each one in one by one. See Fig. 7 for end result.
7. Make sure to plug in the fan before you power on the computer.

SI-128 Parts List (For LGA 775 Platform)

Parts List	Quantity
Heat sink body	1
Fan wire clip	2
Metal bracket	1
Fan rubber strips	2
Thermal paste in syringe	1