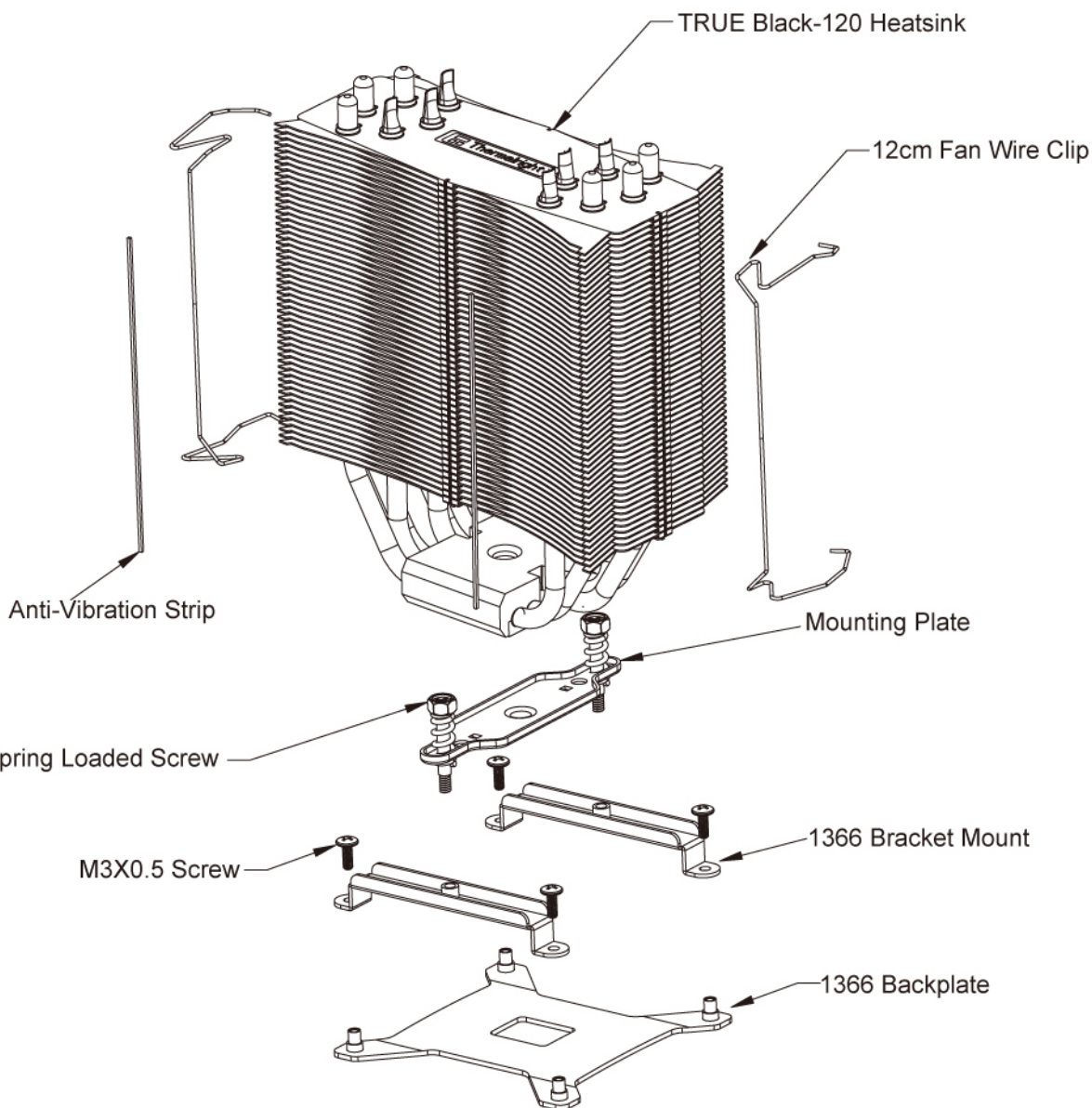
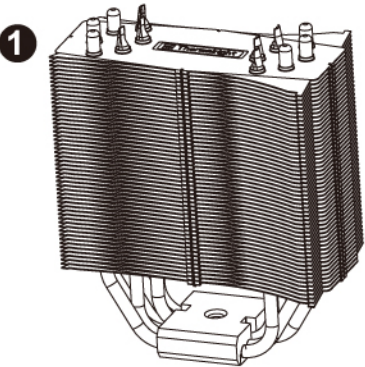
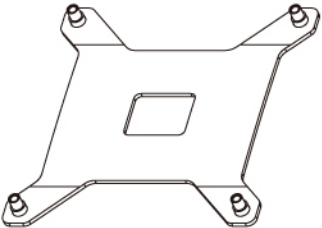




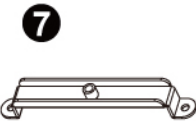





Exploded View

**Important!** Before proceeding with installation, please check for the most up-to-date instructions at [www.thermalright.com](http://www.thermalright.com)



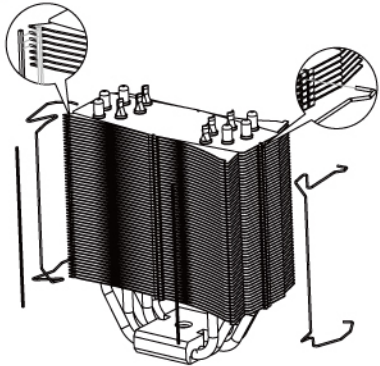
Component

			
			
			
			
			
Parts Name	Piece(s)	Parts Name	Piece(s)
<b>1</b> TRUE Black-120 Heatsink	1	<b>6</b> Spring Loaded Screw	2
<b>2</b> 1366 Backplate	1	<b>7</b> 1366 Bracket Mount	2
<b>3</b> 12cm Fan Wire Clip	4	<b>8</b> Mounting Plate	1
<b>4</b> Anti-Vibration Strip	4	<b>9</b> Chill Factor 2 Thermal Paste	1
<b>5</b> M3X0.5 Screw	4	<b>10</b> Wrench	1

## Installation Guide

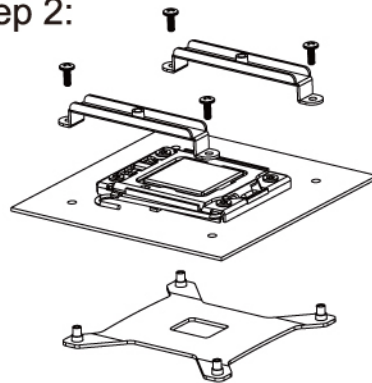
**Important!** Before proceeding with installation, please check for the most up-to-date instructions at [www.thermalright.com](http://www.thermalright.com)

### Step 1:



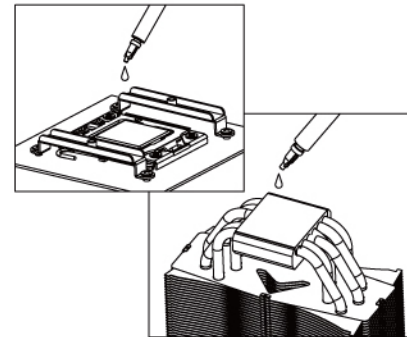
**Step 1 : Installation of Accessory Parts**  
Apply the anti-vibration strips to each side of the heatsink. Insert each end of the fan clips into its designated holes on the heatsink.

### Step 2:



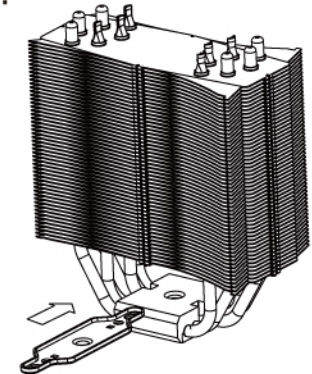
**Step 2 : Bracket Mount Installation**  
Use the four M3x0.5 screws to secure the 1366 bracket mount to the 1366 backplate with the motherboard in between.

### Step 3:



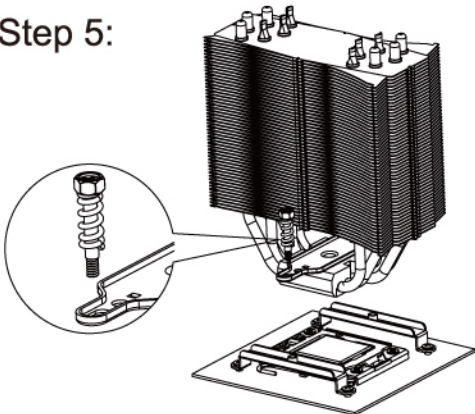
**Step 3 : Thermal Paste Application**  
Apply a thin layer of thermal paste across the surface of the CPU and the heatsink bottom.

### Step 4:



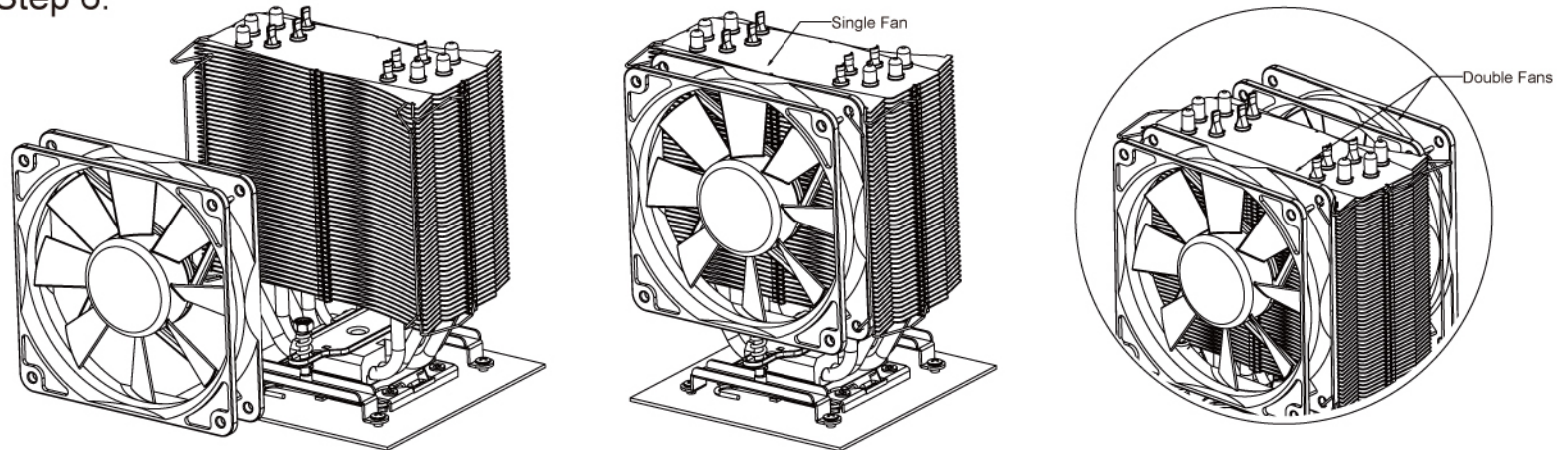
**Step 4 : Slide the mounting plate through between the heatpipes and place it in the dimple on top of the heatsink base.**

### Step 5:



**Step 5 : Place the heatsink on top of CPU and secure in place by tightening on the spring loaded screws.**

### Step 6:



Place a 12cm fan on the heatsink. Pull on the fan wire clips to hook into fan mounting holes to secure fan in place. Plug in fan for power. Fan Installation complete. (Two-fan installation optional)