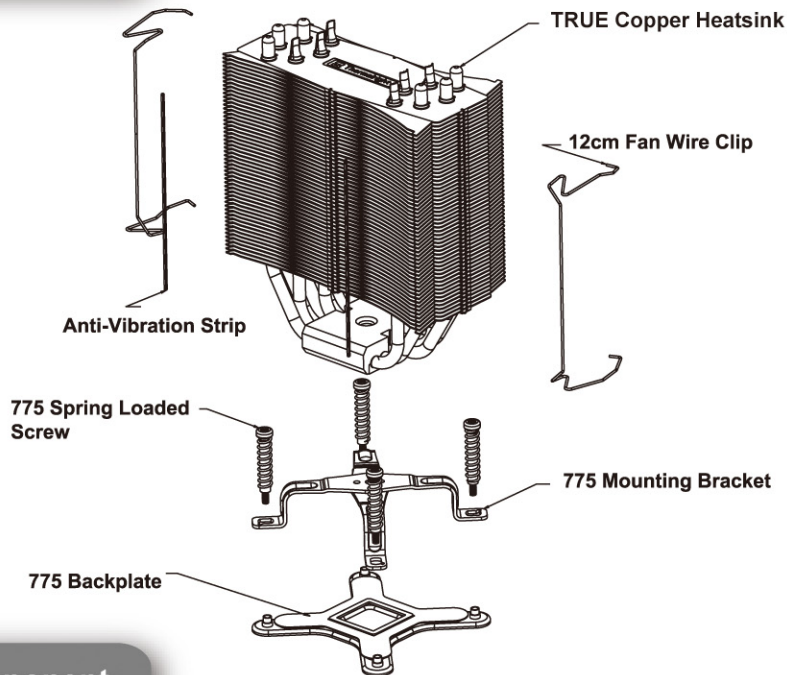
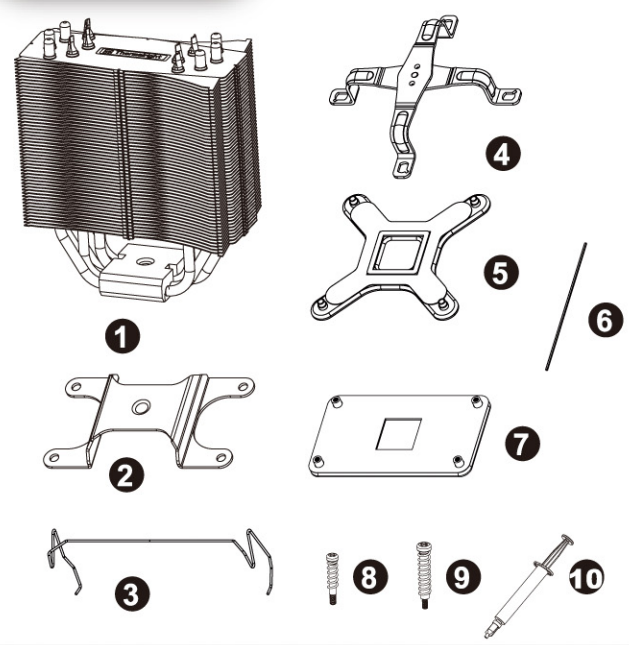


Exploded View



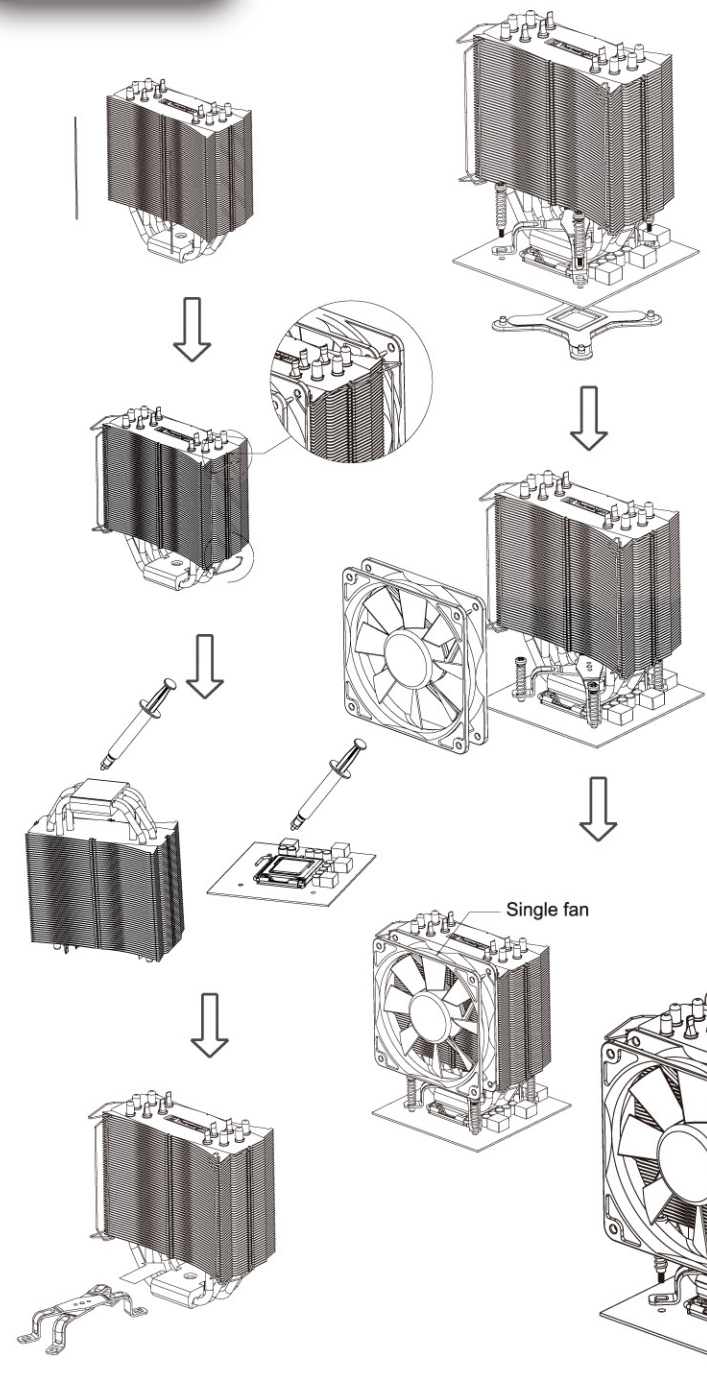
Component



Parts Name	Piece(s)
1 TRUE Copper Heatsink	1
2 AM2 Mounting Bracket	1
3 12cm Fan Wire Clip	4
4 775 Mounting Bracket	1
5 775 Backplate	1
6 Anti-Vibration Strip	4
7 AM2 Backplate	1
8 AM2 Spring Loaded Screw	4
9 775 Spring Loaded Screw	4
10 CF2 Thermal Paste	1

Installation

Important! Before proceeding with installation, please check for the most up-to-date instructions at www.thermalright.com



Step 1: Accessory Installation

Apply the anti-vibration strips across the heatsink fins and insert each end of 12cm fan wire clips into the designated holes on the fins.

Step 2: Thermal Compound Application

Apply thermal compound to the CPU and to the bottom of the heatsink base.

Step 3: Mounting Bracket Installation

Retract the 775 mounting bracket to its smallest form and insert through between the heatpipes and then extend back to its original form. place it on top of the heatsink base.

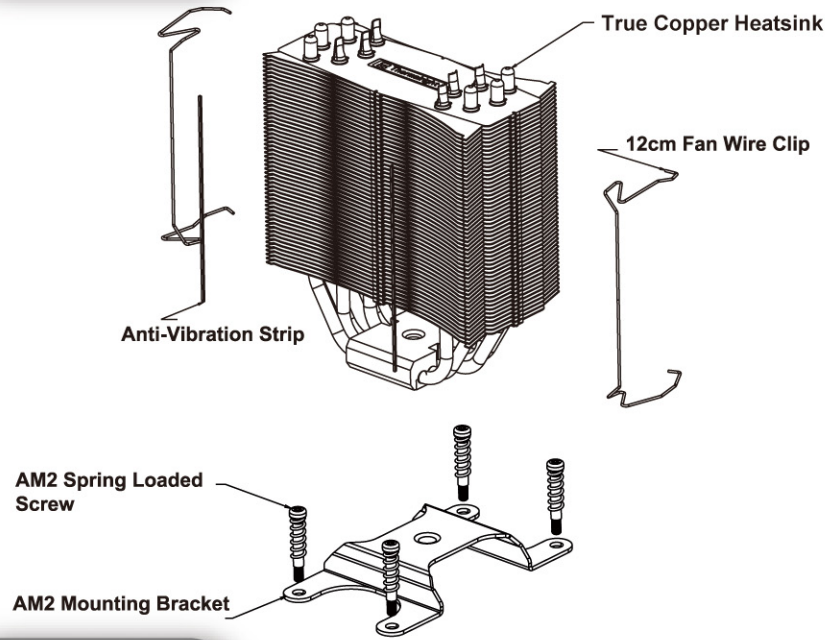
Step 4: Heatsink Installation

Place the 775 backplate on the back of the board with the 4 pillars through the mounting holes. Insert the 775 spring loaded screws on the front side of the board and through the pillars. Tighten the screws secure the heatsink.

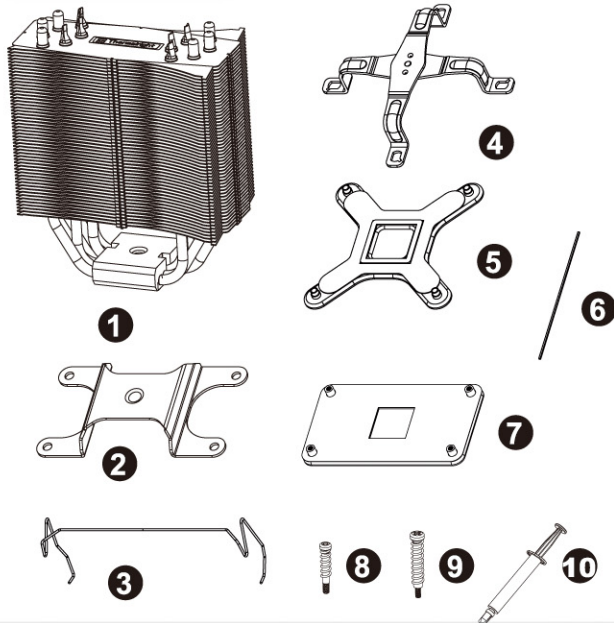
Step 5: Fan Installation

Place a 12cm fan on the heatsink. Pull on the fan wire clips to hook into fan mounting holes to secure fan in place. Plug in fan for power. Fan Installation complete .(Two-fan installation optional)

Exploded View



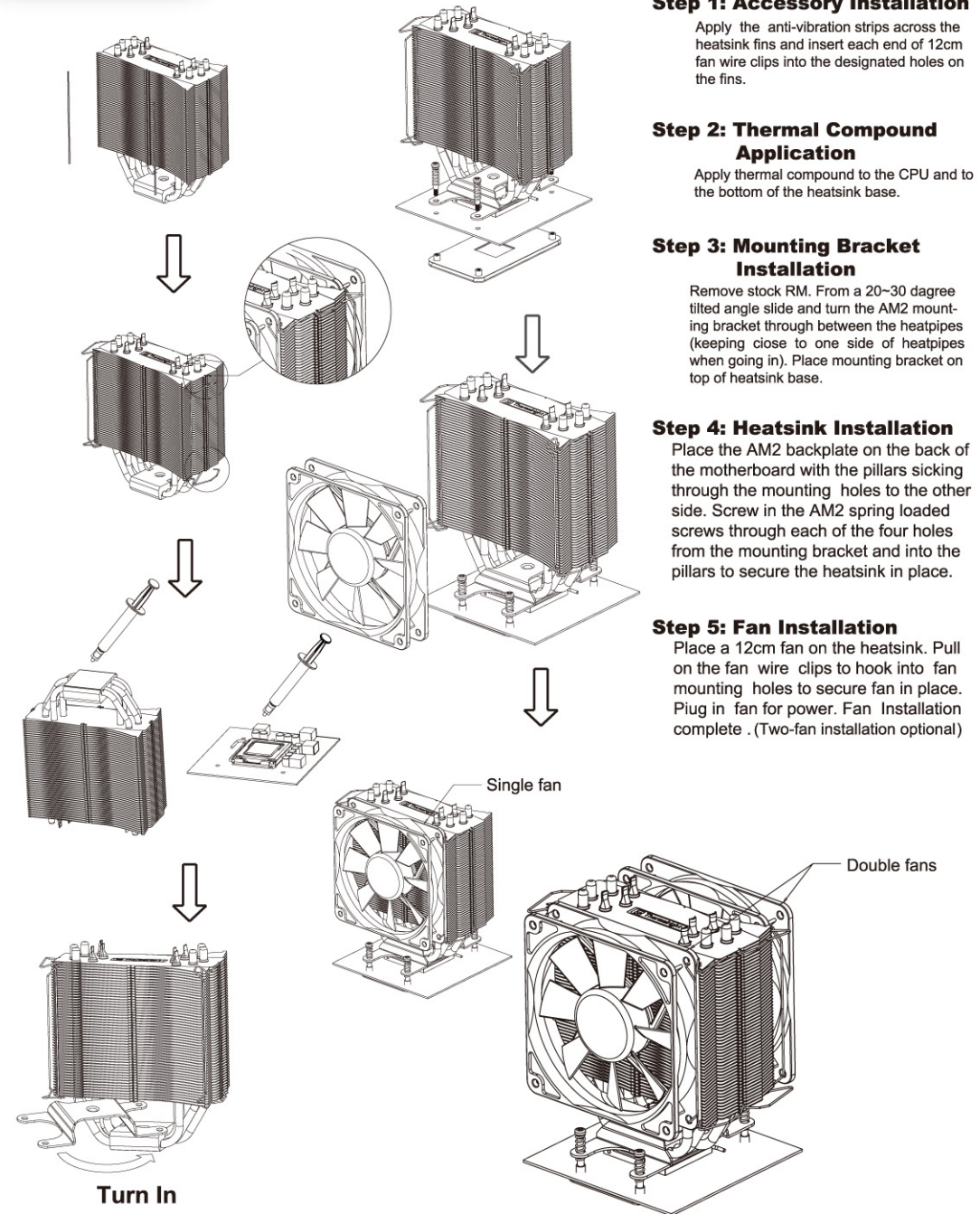
Component



Parts Name	Piece(s)
1 TRUE Copper Heatsink	1
2 AM2 Mounting Bracket	1
3 12cm Fan Wire Clip	4
4 775 Mounting Bracket	1
5 775 Backplate	1
6 Anti-Vibration Strip	4
7 AM2 Backplate	1
8 AM2 Spring Loaded Screw	4
9 775 Spring Loaded Screw	4
10 CF2 Thermal Paste	1

Installation

Important! Before proceeding with installation, please check for the most up-to-date instructions at www.thermalright.com



Step 1: Accessory Installation

Apply the anti-vibration strips across the heatsink fins and insert each end of 12cm fan wire clips into the designated holes on the fins.

Step 2: Thermal Compound Application

Apply thermal compound to the CPU and to the bottom of the heatsink base.

Step 3: Mounting Bracket Installation

Remove stock RM. From a 20~30 degree tilted angle slide and turn the AM2 mounting bracket through between the heatpipes (keeping close to one side of heatpipes when going in). Place mounting bracket on top of heatsink base.

Step 4: Heatsink Installation

Place the AM2 backplate on the back of the motherboard with the pillars sticking through the mounting holes to the other side. Screw in the AM2 spring loaded screws through each of the four holes from the mounting bracket and into the pillars to secure the heatsink in place.

Step 5: Fan Installation

Place a 12cm fan on the heatsink. Pull on the fan wire clips to hook into fan mounting holes to secure fan in place. Plug in fan for power. Fan Installation complete. (Two-fan installation optional)