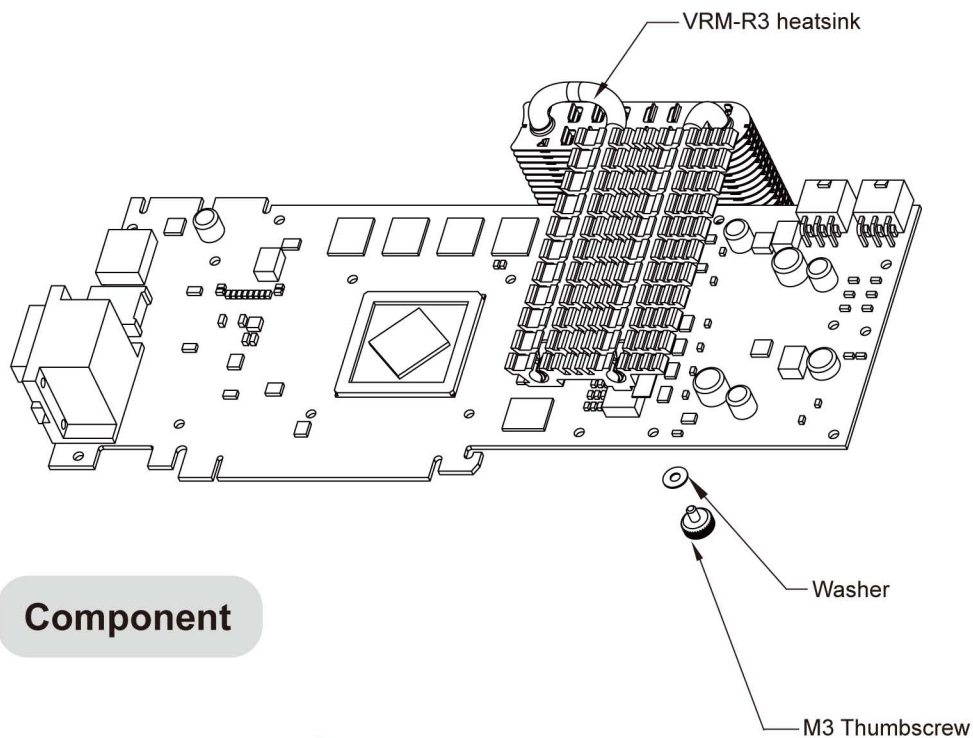
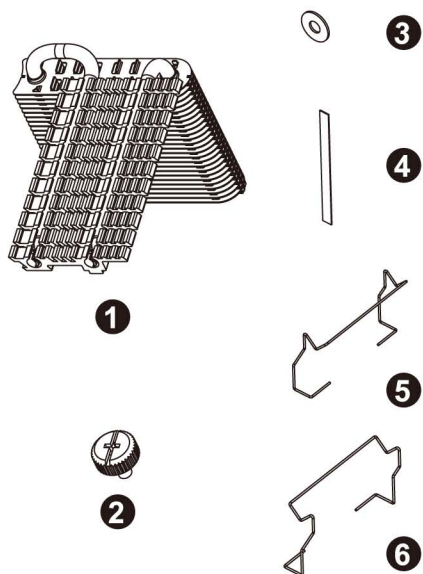


Exploded View



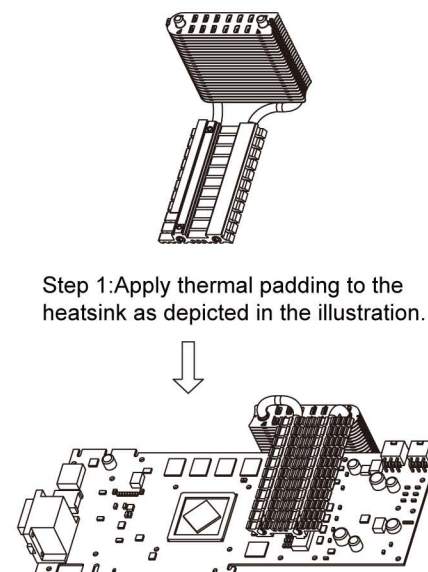
Component



Parts Name	Piece(s)
1 VRM-R3 heatsink	1
2 M3 Thumbscrew	3
3 Washer	3
4 Thermal Pad	2
5 80mm Fan Clip (left)	1
6 80mm Fan Clip (right)	1

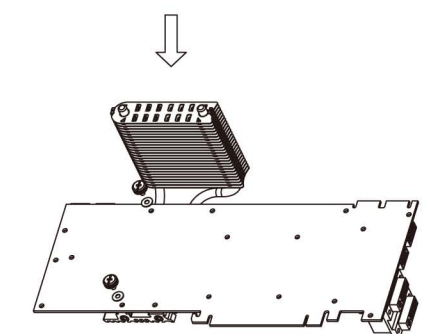
Installation Guide

Important! Before proceeding with installation, please check for the most up-to-date instructions at www.thermalright.com

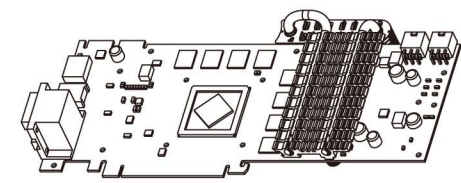


Step 1: Apply thermal padding to the heatsink as depicted in the illustration.

Step 2: Align the holes from the heatsink to the GPU socket mounting holes.



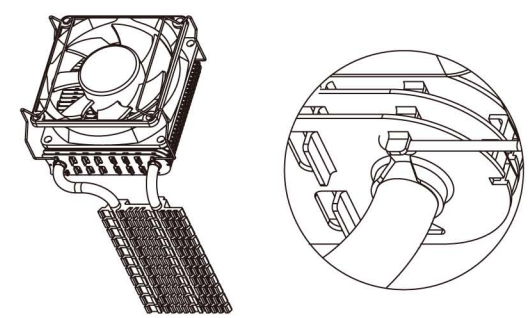
Step 3: Insert washers from the back side of the VGA card through the M3 screws and secure the heatsink in place by tightening on the M3 Thumbscrew.



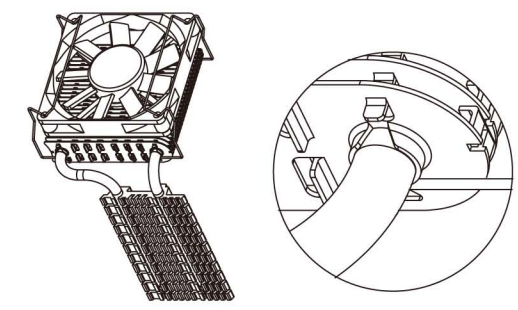
Step 4: Installation completed.

Fan Installation:

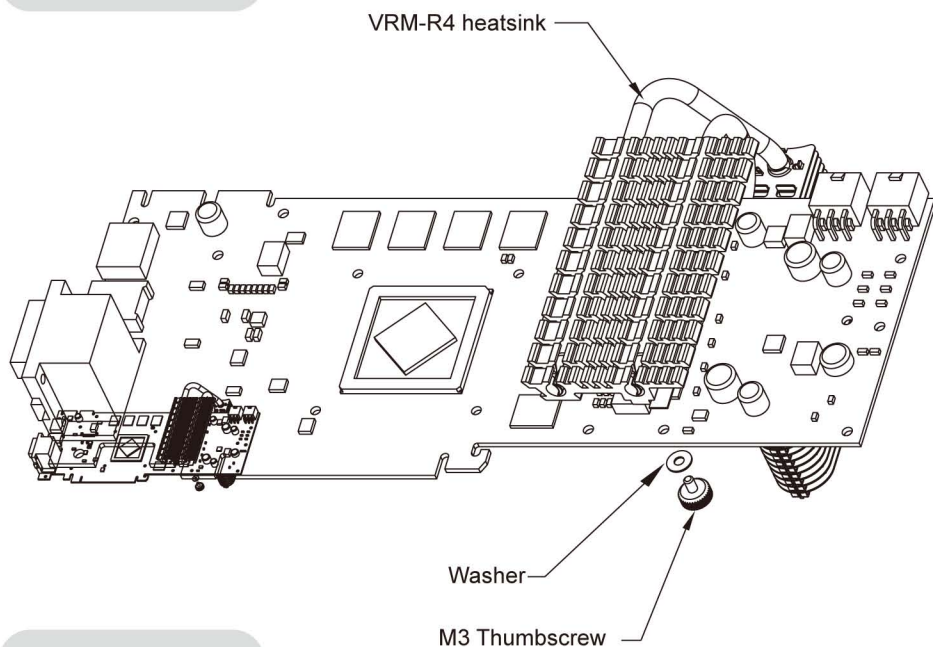
80mm X 25mm Fan Installation:



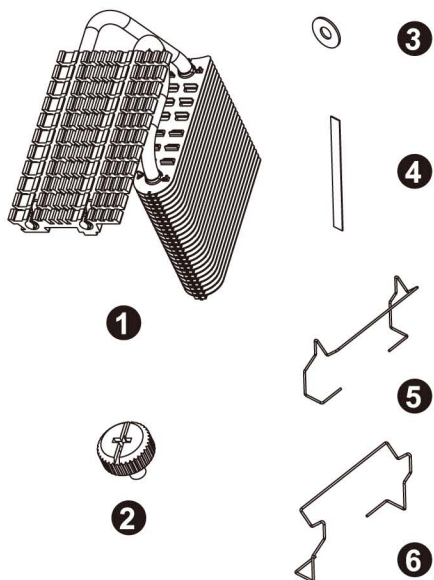
80mm X 15mm Fan Installation:



Exploded View



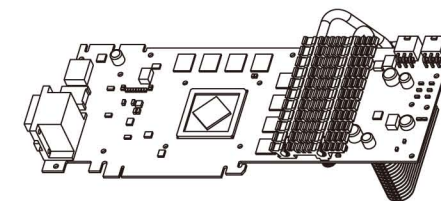
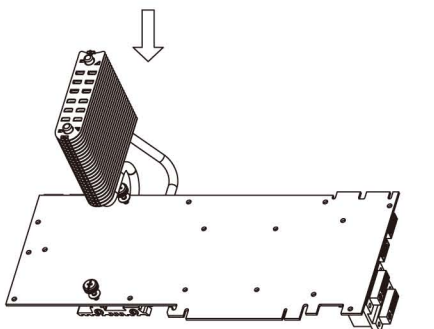
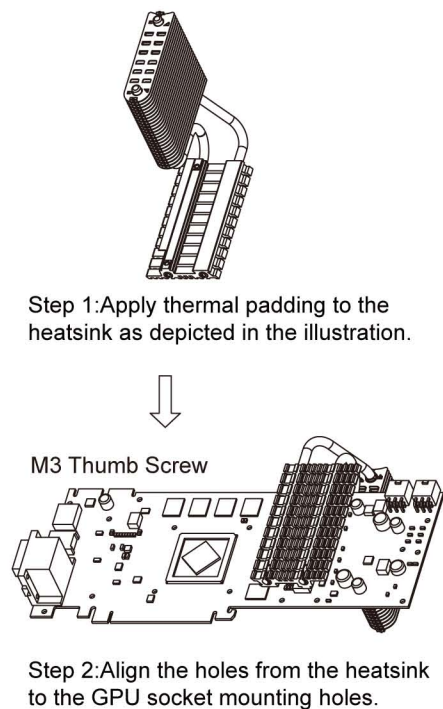
Component



Parts Name	Piece(s)
1 VRM-R4 heatsink	1
2 M3 Thumbscrew	3
3 Washer	3
4 Thermal Pad	2
5 80mm Fan Clip (left)	1
6 80mm Fan Clip (right)	1

Installation Guide

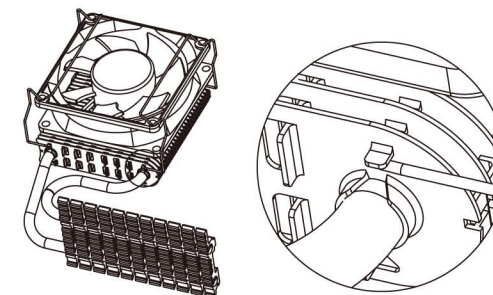
Important! Before proceeding with installation, please check for the most up-to-date instructions at www.thermalright.com



Step 4: Installation completed.

Fan Installation

80mm X 25mm Fan Installation:



80mm X 15mm Fan Installation:

