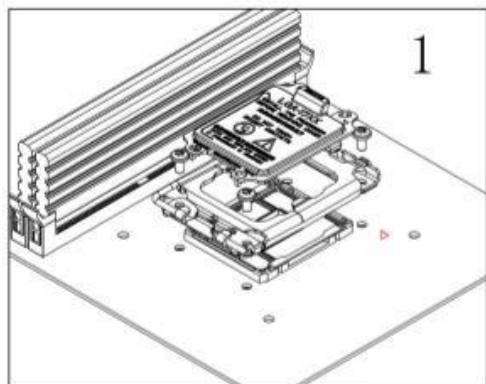


LGA1700-BCF SPECIFICATIONS AND INSTALLATION GUIDE

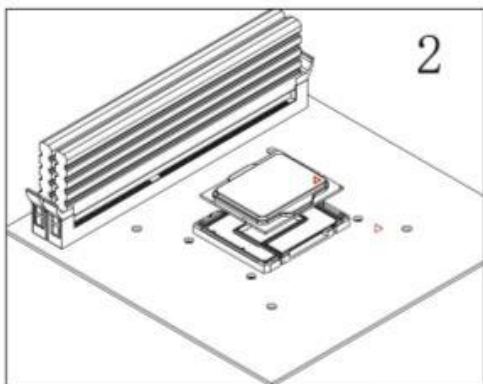
Dimension:70.2*53.4*6.25

Texture: AL6063-T5

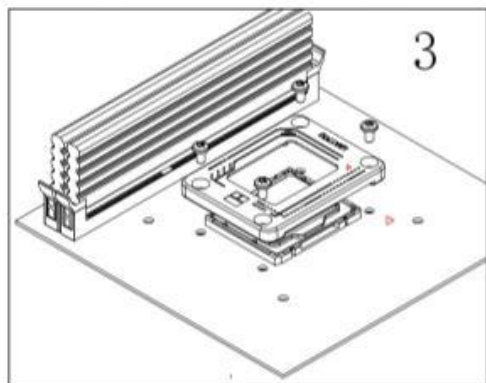
INSTALLATION:



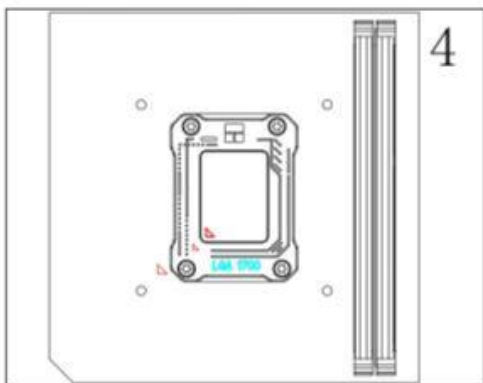
1.USE INCLUDED SCREW
DRIVER TO REMOVE ILM



2.INSTALL CPU IN SOCKET
FOLLOWING TRIANGLE SIGN



3.INSTALL BCF WITH
ORIGINAL ILM SCREWS



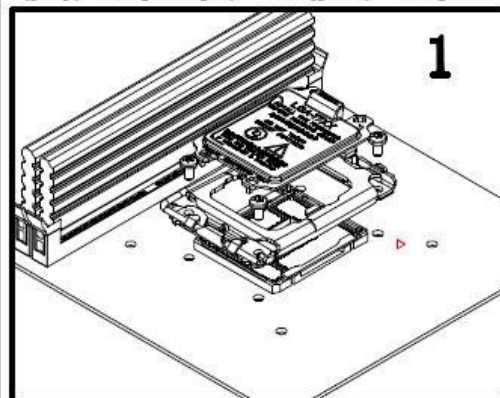
4.BE AWARE OF
INSTALLATION DIRECTION

LGA1700-BCF产品规格及使用说明

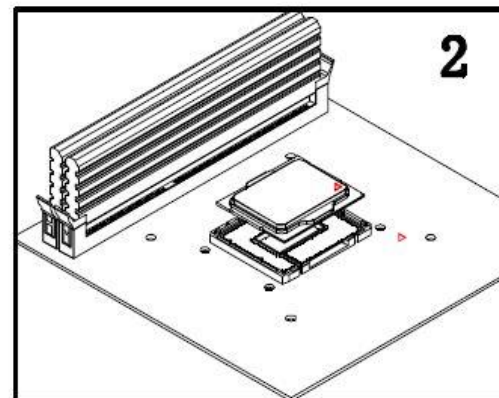
Dimension:70.2*53.4*6.25

Texture: AL6063-T5

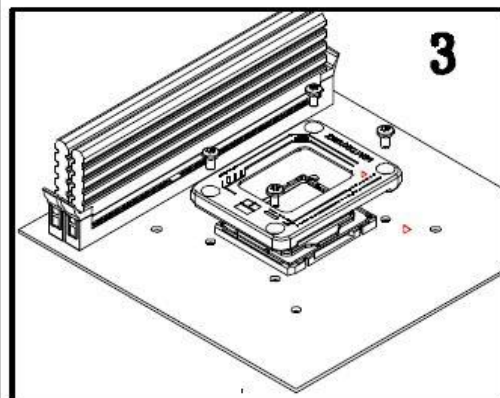
使用说明（按图示）



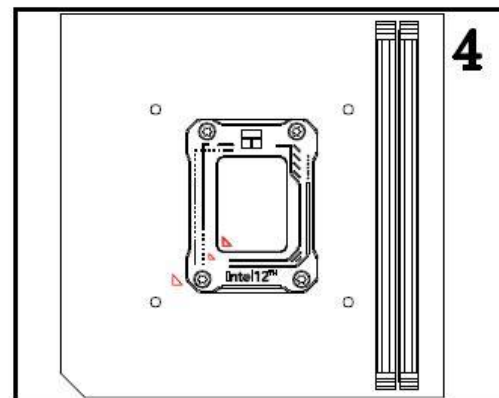
1. 用附赠螺丝刀拆除原装支架



2. 将CPU按三角方向对齐安装



3. 安装BCF，用原配螺丝对称拧紧



4. 注意安装方向，三角图形对齐